

LED T5 Short ECG

2W/3W/4W/7W

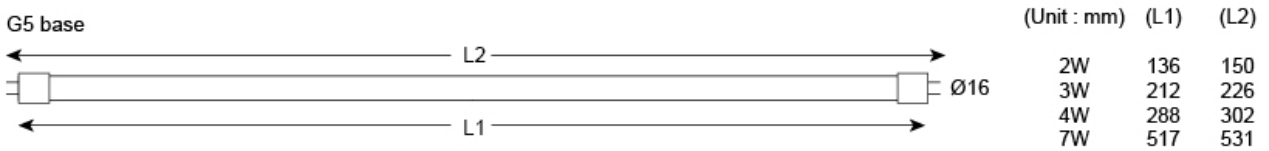
Features

- Energy saving with low power consumption
- Smooth operation even at low temperatures
- No mercury and hazardous substances
- Full glass body
- Good color rendition, Ra ≥80

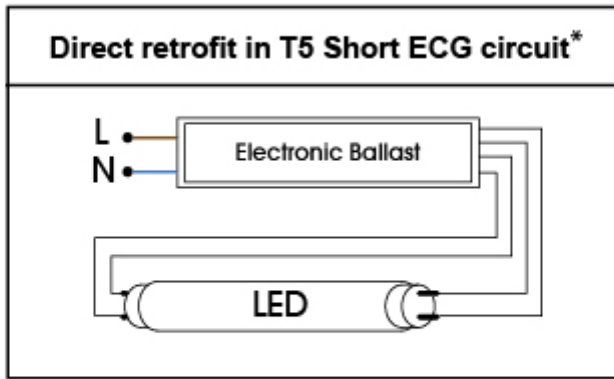


Diagrams

Dimensions:



Circuits:



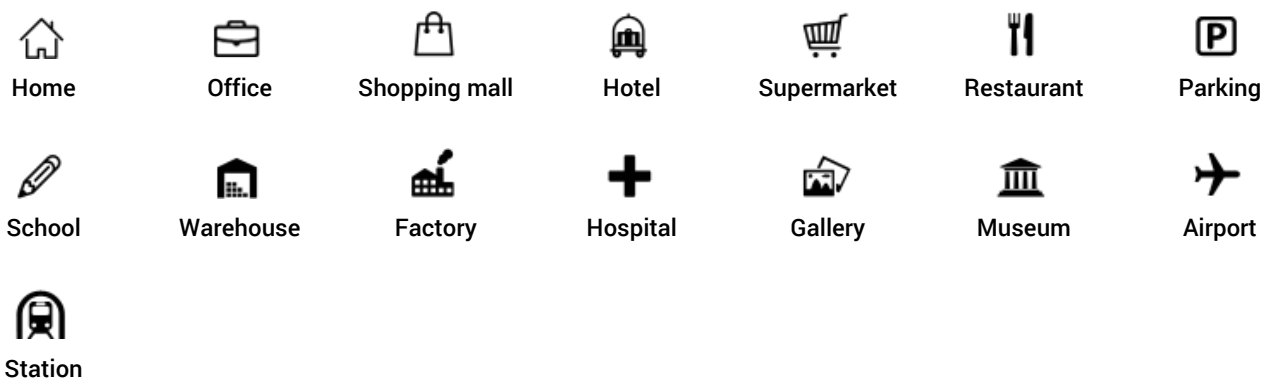
* Comply to EN62776

- Suitable for direct retrofit to 1x short electronic ballast
- Compatible with T5 Fluorescent Emergency Kit

Standards



Applications



Technical Data	
Type of Light Source	
Lighting Technology Used	LED
Non-directional or Directional [NDLS/DLS]	NDLS
Mains or Non-mains [MLS/NMLS]	NMLS
Connected Light Source	No

Prosperity Lamps & Components Ltd.

Tel: (852) 2511 0022 Fax: (852) 2511 0082 Web: www.prosperitylamps.com Email: info@prosperitylamps.com

Color tunable light source	No
Envelop [No/Second/Non-Clear]	No
High Luminance Light Source	No
Anti-glare Shield	No
Electrical	
Rated Wattage [W]	2W / 3W / 4W / 7W
On-mode Power [W]	2W / 3W / 4W / 7W
Standby Power [W]	N/A
Networked Standby Power [W]	N/A
Rated Voltage [V/Hz]	N/A
Power Factor @230V	0.95
Input Current [mA] @230V	9 / 14 / 18 / 32
Model	
LED F2T5/E/8XX/150	2W
LED F3T5/E/8XX/226	3W
LED F4T5/E/8XX/302	4W
LED F7T5/E/8XX/531	7W
Luminous Flux [lm]	
2W	230lm @3000K
	235lm @4000K
	240lm @6500K
3W	345lm @3000K
	355lm @4000K
	360lm @6500K
4W	460lm @3000K
	470lm @4000K
	480lm @6500K
7W	805lm @3000K
	825lm @4000K
	840lm @6500K
Performance	
SDCM	<6
Chromaticity coordinates [x, y]	0.44,0.403@3000K / 0.38,0.38@4000K / 0.312,0.335@6500K
Efficacy [lm/W]	115-120
Color Rendering Index [Ra]	≥80
R9 colour rendering index value	2
Beam Angle [°]	270
Rated Life, Ta@25°C [hrs]	40,000
Survival Factor	0.9
Lumen Maintenance Factor	0.96
Number of Switching Cycles Before Failure	>15,000
Starting Time [S]	<0.5
Warm Up Time [S]	<2
Premature Failure At 1000hrs	<5%

Prosperity Lamps & Components Ltd.

Tel: (852) 2511 0022 Fax: (852) 2511 0082 Web: www.prosperitylamps.com Email: info@prosperitylamps.com

Displacement Factor [cosØ]	N/A
Flicker Metric [Pst LM]	N/A
Stroboscopic Effect Metric [SVM]	N/A
Mechanical	
Diameter D [mm]	Φ16
Length L1 [mm]	136 / 212 / 288 / 517
Length L2 [mm]	150 / 226 / 302 / 531
Base	G5
Material	Glass
Standard Compliance	
CE-LVD	EN62776
CE-EMC	EN55015, EN61547, EN61000-3-2, EN61000-3-3
CE-EMF	EN62493
Environment	RoHS
Mercury Content [mg]	0.0
Energy Class	F / F / E
Other	
Dimmable [Yes/Only with specific dimmers/No]	No
Operation Temperature	-20°C ~ 50°C
Storage Temperature	-10°C ~ 30°C
Claim of Equivalent Power, 2W [W]	4W
Claim of Equivalent Power, 3W [W]	6W
Claim of Equivalent Power, 4W [W]	8W
Claim of Equivalent Power, 7W [W]	13W
Energy Consumption in on-mode [kWh/1000h]	2kWh / 3kWh / 4kWh / 7kWh