

# Sport Lighting Solution LED A MAXI



LED A MAXI high-efficiency floodlight series designed exclusively for sports and multifunctional lighting applications. It can perfectly replace traditional 1000W and 2000W metal halide lamp while reducing energy consumption.

LED A MAXI is composed of die-cast aluminium. 11 types of beam angles for different applications, offer uniform light distribution and eliminate light spill. High transparency tempered glass enables the luminaire to reach 110-130lm/W with high color rendition – CRI 80/90.

The floodlight range includes three versions (SA30, SA20, and SA10). The entire luminaire and each module are tilt-adjustable to facilitate aiming. External gear box with build-in high-power and non-flickering driver can be integrated to or separated from the luminaire according to different applications.

The separable design is convenient and easy for installation. The streamline design minimizing the windage is ideal for outdoor lighting. Lightweight and airtight housing design enable the luminaire to withstand against weathering and corrosion.

11 types of optical solutions are able to satisfy different applications. LED A MAXI is dimmable with different options, such as 0-10V and DALI etc.

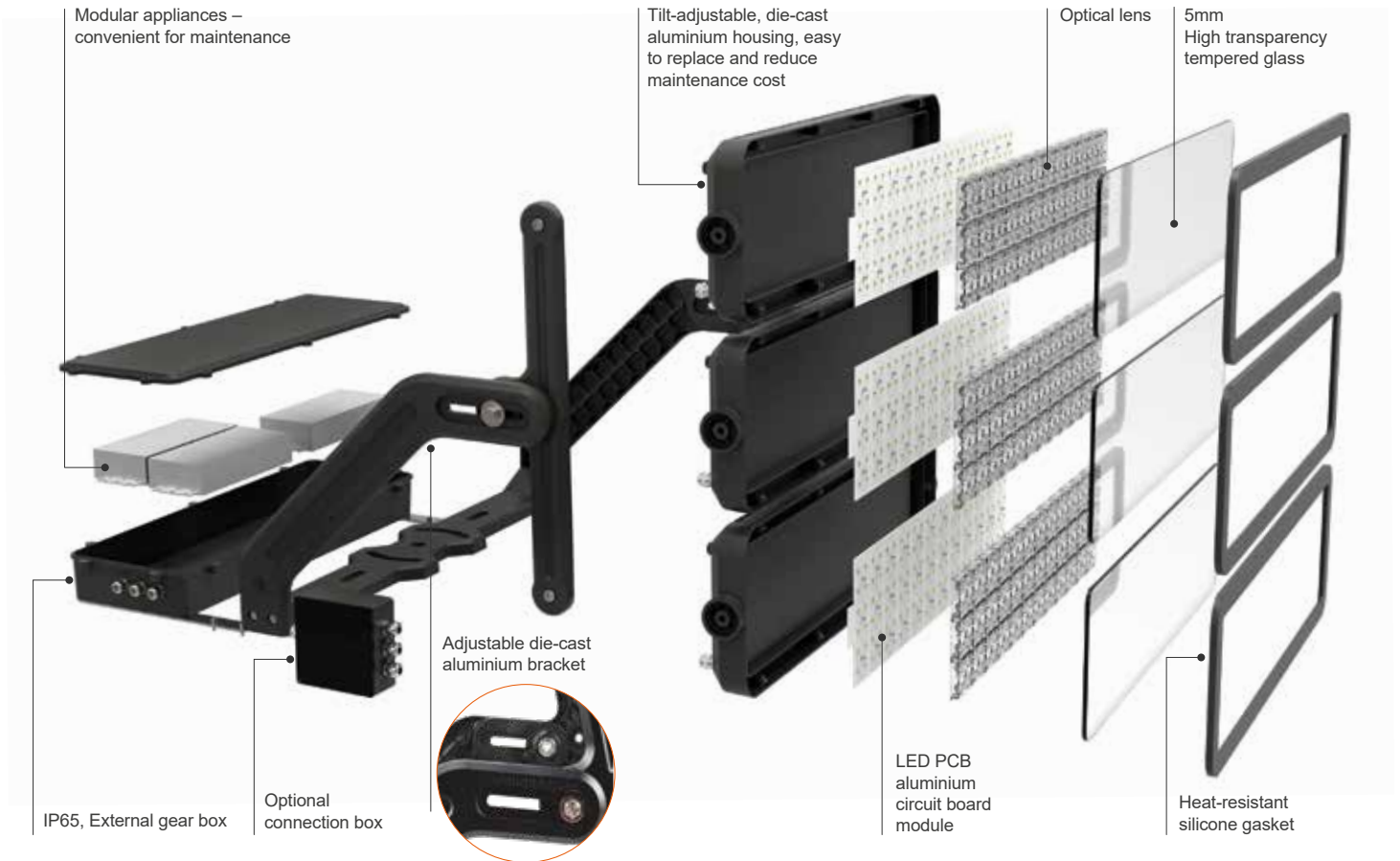
The precise light beam supports HDTV recording, flicker-free recording and slow motion recoding that conform to the professional sports broadcasting standards.

Prosperity Lamps & Components Ltd.

20/F Cornell Centre, 50 Wing Tai Road, Chai Wan, Hong Kong  
Web: [www.prosperitylamps.com](http://www.prosperitylamps.com) E-mail: [info@prosperitylamps.com](mailto:info@prosperitylamps.com)

Tel: (852) 2511 0022  
Fax: (852) 2511 0082

## Product Structure



## Module

Front View

Back View

**SA30 (900-1200W)**  
composed of 3 modules,  
designed exclusively for sports,  
public areas, ports, and  
airport aprons lightings.



**SA20 (500-800W)**  
composed of 2 modules,  
designed exclusively for sports,  
road, public areas, and building  
lightings.



**SA10 (200-400W)**  
composed of 1 module,  
designed exclusively for  
stadium bleachers, roads,  
public areas, and building  
lightings.





Adjustable bracket



M16 waterproof lock



Tilt-adjustable module



Safety steel wire rope



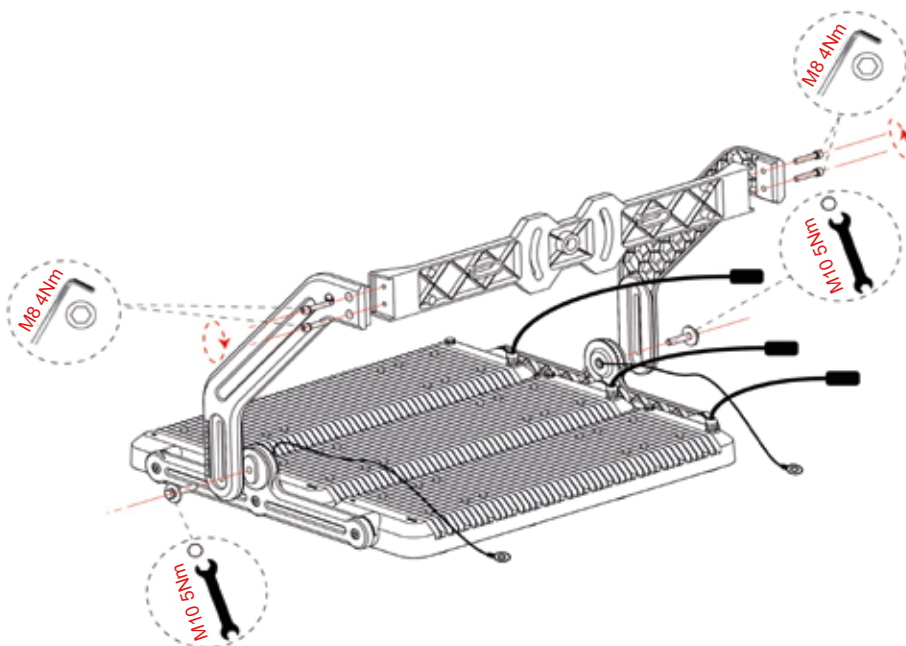
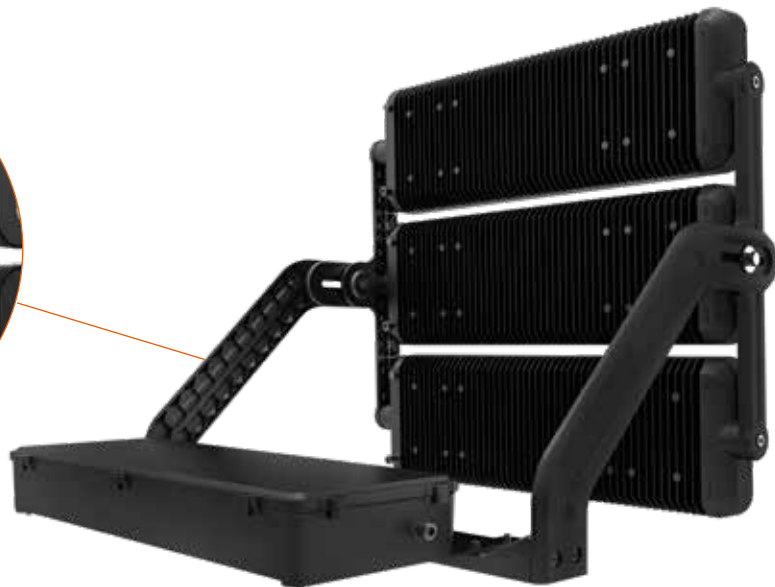
External gear box



Die-cast aluminium bracket



Optional connection box



### Installation Instructions

In order to avoid electric shock during construction, turn off the power before installation and require professional electricians to read and follow the safety instructions before installing and repairing.

When closing the luminaire, ensure that all electrical wires are not squeezed in the luminaire slot to avoid short circuit.

The local construction instructions should be followed when installing and repairing.

Ensure that the luminaire is not damaged before installation.

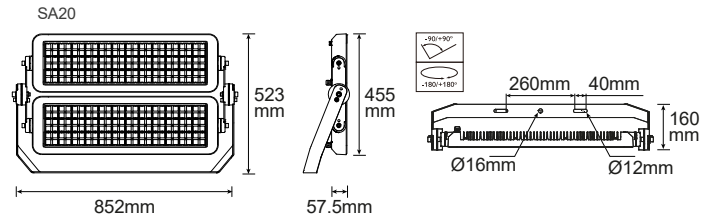
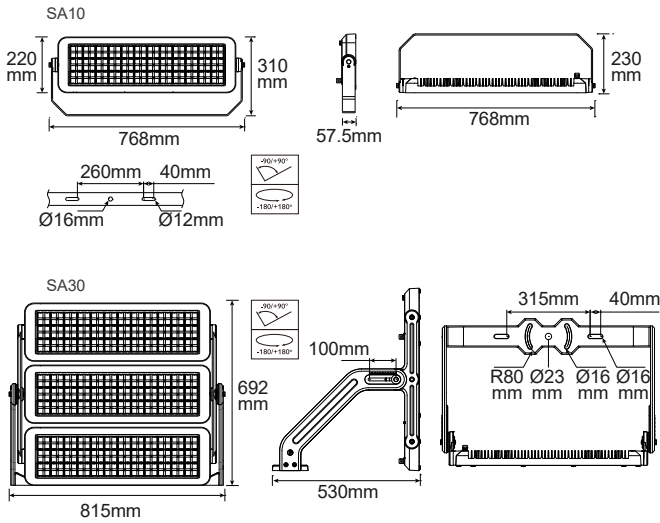
## Specifications



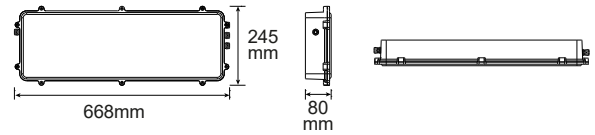
<b>Model</b>	SA10 (200-400W) SA20 (500-800W) SA30 (900-1200W)
<b>Light source</b>	LED
<b>Power</b>	200W / 300W / 500W / 600W / 700W / 800W / 1000W / 1200W
<b>Luminaire flux</b>	24000 - 48000lm (SA10) 60000 - 96000lm (SA20) 108000 - 144000lm (SA30)
<b>Luminaire efficacy</b>	110-130lm/W
<b>CCT</b>	5000K (3000K / 4000K / 5700K)
<b>CRI</b>	>80 (70 / 90 are available)
<b>Lifetime</b>	50000 Hours (Working temperature 35°C)
<b>Operating temperature range</b>	-30-45°C

<b>Dimming</b>	DALI / 0-10V / PWM / NBIOT	
<b>Electrical</b>	Class I Input Voltage: 90-305V/50-60Hz, 170-305V/50-60Hz	
<b>Tightness level</b>	IP66	
<b>Materials</b>	ADC12 Die-cast aluminium housing High transparency tempered glass 304 stainless steel screw	
<b>Impact resistance</b>	IK08	
<b>Weight</b>	SA10	18kg
	SA20	29kg
	SA30	35kg
	SA30	28kg (Excluding drivers)
<b>Color</b>	Grey (Black / White are available)	

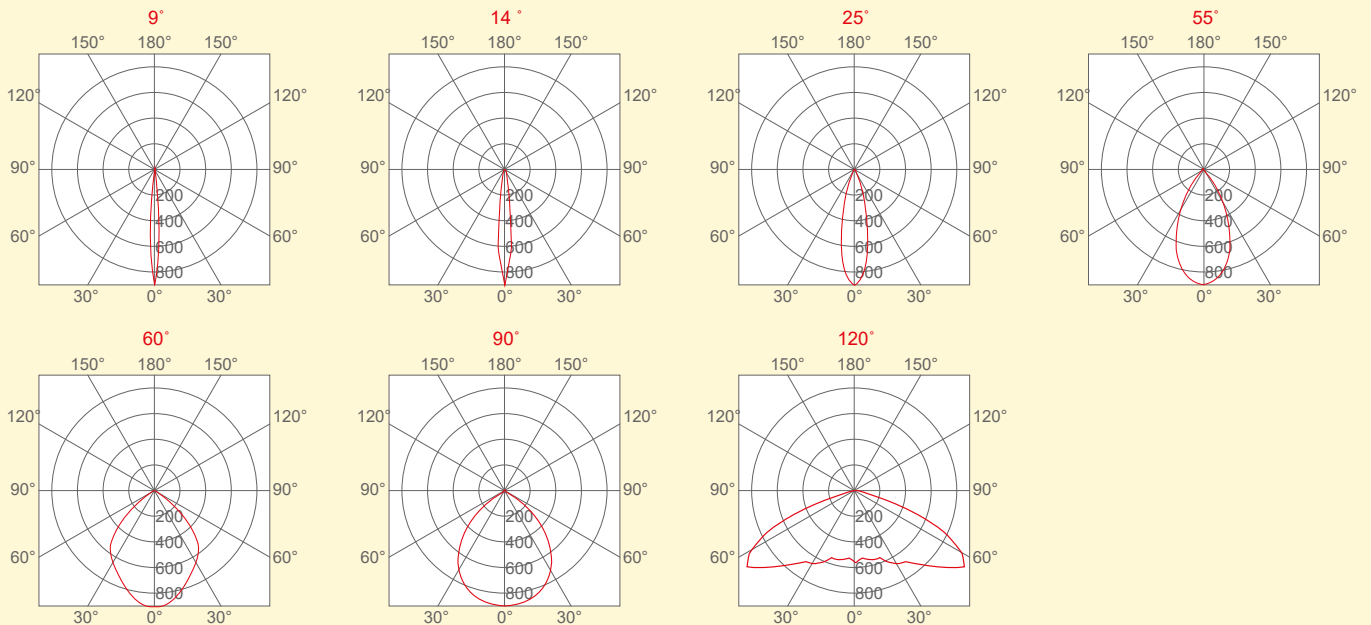
## Dimensions



### External gear box



## Optics - Symmetric



## Optics - Asymmetric

